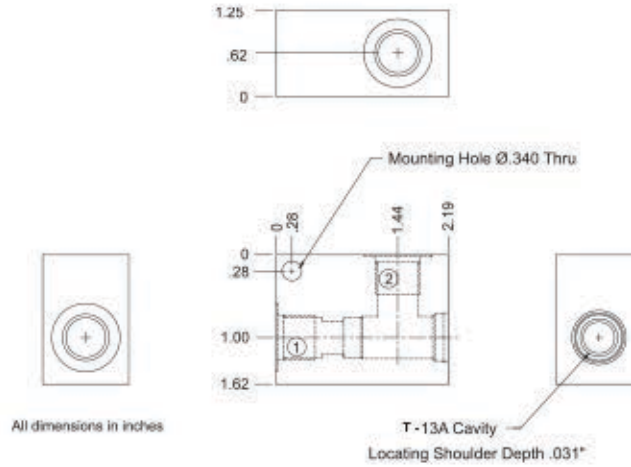


T-13A CAVITY CARTRIDGE VALVE BODIES
 FOR VALVE MODELS: GCV13, GCVA13 & GAFC13, 1343.00 Series



Ordering Information

G13A
 Base Model #

—

3P
 Port Size
 3P - 3/8 npt
 T6 - sae #6
 T8 - sae #8

—

A
 Material
 A - Aluminum