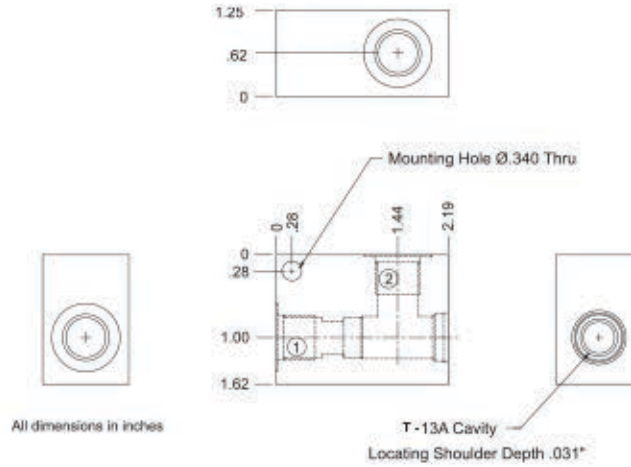


T-13A CAVITY CARTRIDGE VALVE BODIES
 FOR VALVE MODELS: GCV13, GCVA13 & GAFC13, 1343.00 Series



Ordering Information

G13A	—	3P	—	A
Base Model #		Port Size		Material
		3P - 3/8 npt		A - Aluminum
		T6 - sae #6		
		T8 - sae #8		