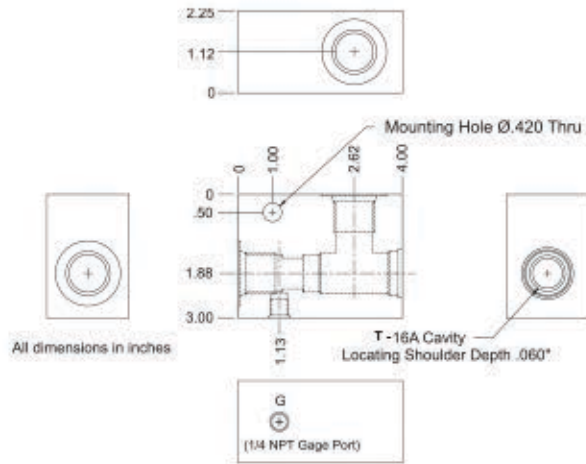


T-16A CAVITY CARTRIDGE VALVE BODIES
 FOR VALVE MODELS: GCV16, GCVA16, GPR16, GDR16 Series



Ordering Information

G16A
 Base Model #



6P
 Port Size
 6P - 3/4 npt
 8P - 1 npt
 T12 - sae #12
 T16 - sae #16



A
 Material
 A - Aluminum