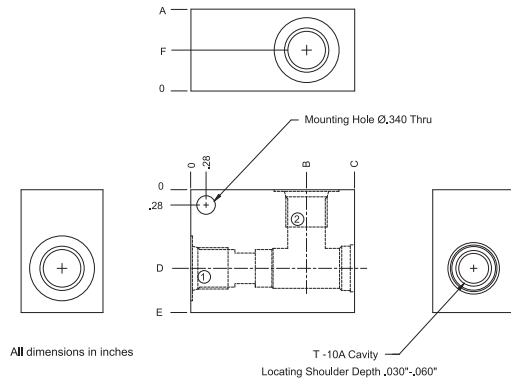


T-10A CAVITY CARTRIDGE VALVE BODIES  
FOR VALVE MODELS: GPR10, GDR10 Series

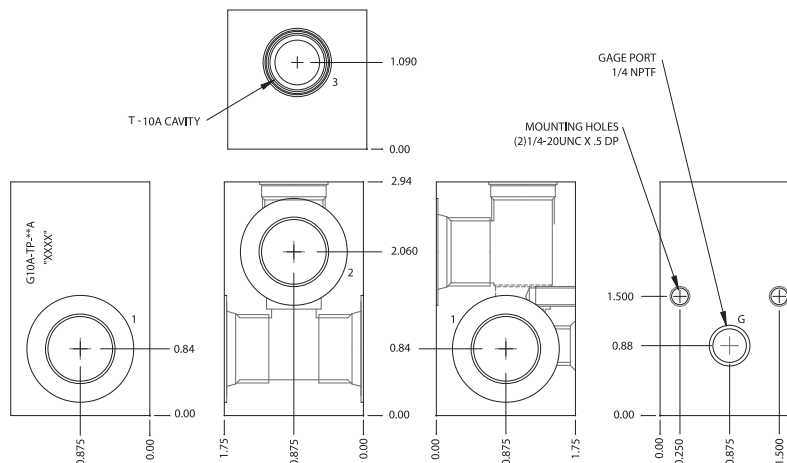


BLOCK DIMENSIONS						
Port Size	A	B	C	D	E	F
3PT6&T8	1.25	1.62	2.50	1.03	1.62	.62
4P	1.50	2.12	3.00	1.44	2.25	.75

### Ordering Information

G10A	—————	3P	—————	A
Base Model #		Port Size 3P - 3/8 npt 4P - 1/2 npt T6 - sae #6 T8 - sae #8		Material A - Aluminum

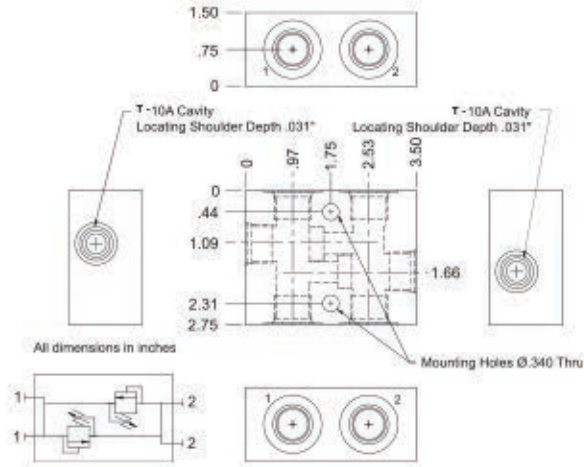
### "Through Port Version"



### Ordering Information

G10A-TP	—————	4P	—————	A
Base Model #		Port Size 4P - 1/2 npt T8 - sae #8 T10 - sae #10		Material A - Aluminum

T-10A CAVITY CROSSOVER RELIEF VALVE BODIES  
FOR VALVE MODELS: GPR10, GDR10 Series



## Ordering Information

G10A-XR  
Base Model #

—

3P  
Port Size  
3P - 3/8 npt  
4P - 1/2 npt  
T6 - sae #6  
T8 - sae #8

—

A  
Material  
A - Aluminum