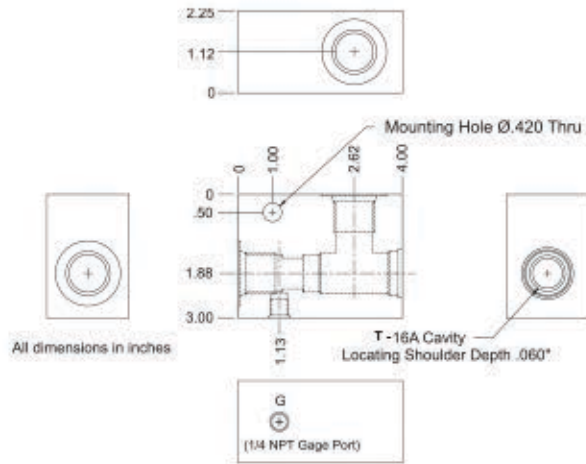


T-16A CAVITY CARTRIDGE VALVE BODIES  
 FOR VALVE MODELS: GCV16, GCVA16, GPR16, GDR16 Series



## Ordering Information

G16A  
 Base Model #

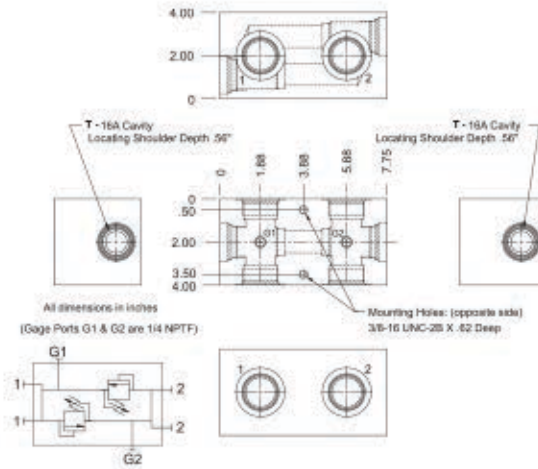


6P  
 Port Size  
 6P - 3/4 npt  
 8P - 1 npt  
 T12 - sae #12  
 T16 - sae #16



A  
 Material  
 A - Aluminum

T-16A CAVITY CROSSOVER RELIEF VALVE BODIES  
FOR VALVE MODELS: GPR16, GDR16 Series



## Ordering Information

G16A-XR  
Base Model #

—

10P

—

A

Port Size  
10P - 1 1/4 npt  
T20 - sae #20

Material  
A - Aluminum