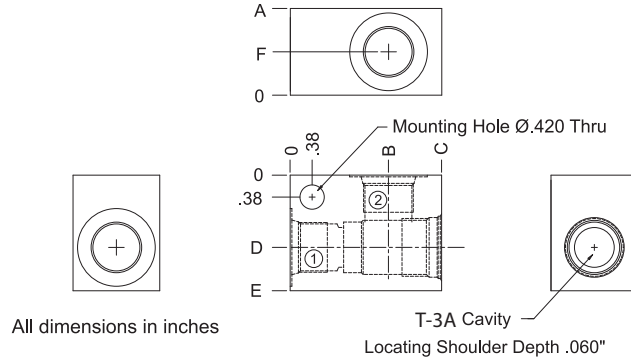


T-3A CAVITY CARTRIDGE VALVE BODIES
FOR VALVE MODELS: GPR3, GDR3 Series

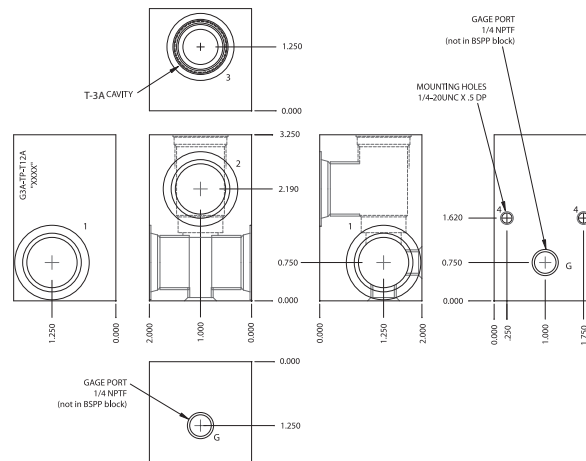


| BLOCK DIMENSIONS | | | | | | |
|------------------|------|------|------|------|------|-----|
| Port Size | A | B | C | D | E | F |
| 4P,6P,T8,T10,T12 | 1.50 | 1.97 | 3.00 | 1.25 | 2.00 | .75 |

Options

| | | | | |
|--------------|---|--|---|--------------------------|
| G3A | — | 4P | — | A |
| Base Model # | | Port Size 4P - 1/2 npt 6P - 3/4 npt T8 - sae #8 T10 - sae #10 T12 - sae #12 | | Material A - Aluminum |

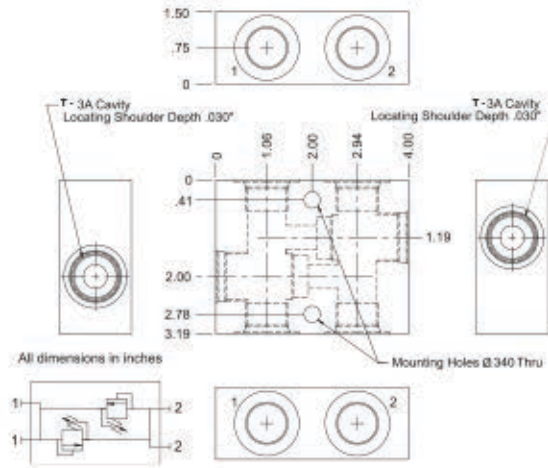
"Through Port Version"



Options

| | | | | |
|--------------|---|---|---|--------------------------|
| G3A-TP | — | T12 | — | A |
| Base Model # | | Port Size T12 - sae #12 B6 - 3/4 BSPP | | Material A - Aluminum |

T-3A CAVITY CROSSOVER RELIEF VALVE BODIES
FOR VALVE MODELS: GPR3, GDR3 Series



Ordering Information

G3A-XR
Base Model #

—

4P

Port Size
4P - 1/2 npt
6P - 3/4 npt
T6 - sae #6
T8 - sae #8
T10 - sae #10

—

A

Material
A - Aluminum