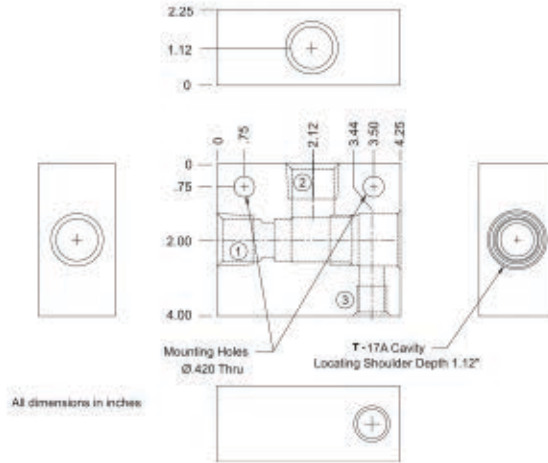


T-17A CAVITY CARTRIDGE VALVE BODIES  
 FOR VALVE MODELS: GPOC17, GCB17, GPRV17, GPS17, GPCC17, GPRD17 Series



## Ordering Information

G17A  
 Base Model #

6P

A

### Port Size

- 6P - 3/4 npt (1/4 npt pilot port)
- 8P - 1 npt (1/4 npt pilot port)
- T12 - sae #12 (sae #6 pilot port)
- T16 - sae #16 (sae #6 pilot port)
- T20 - sae #20 (sae #6 pilot port)

Material  
 A - Aluminum