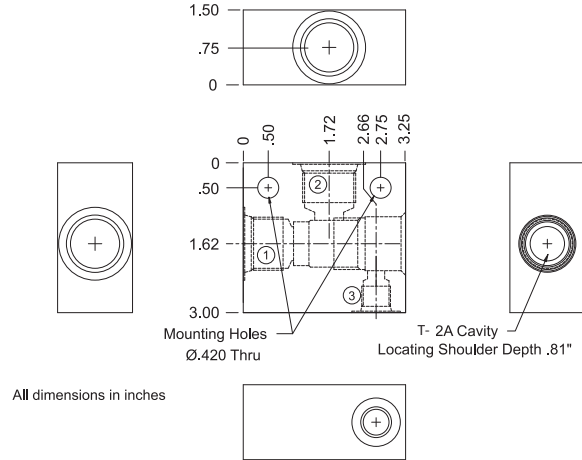


T-2A CAVITY CARTRIDGE VALVE BODIES
 FOR VALVE MODELS: GPOC2, GCB2, GPRD2, GPRV2, GPS2, GPCC2 Series



Options

G2A	—	4P	—	A
Base Model #		Port Size		Material
		4P - 1/2 npt (1/4 npt pilot port)		A - Aluminum
		6P - 3/4 npt (1/4 npt pilot port)		
		T8 - sae #8 (sae #6 pilot port)		
		T10 - sae #10 (sae #6 pilot port)		
		T12 - sae #12 (sae #6 pilot port)		