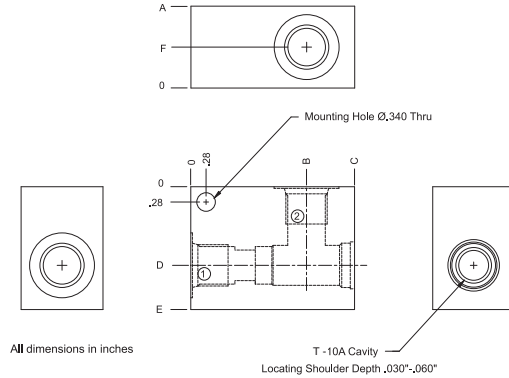


T-10A CAVITY CARTRIDGE VALVE BODIES
FOR VALVE MODELS: GPR10, GDR10 Series

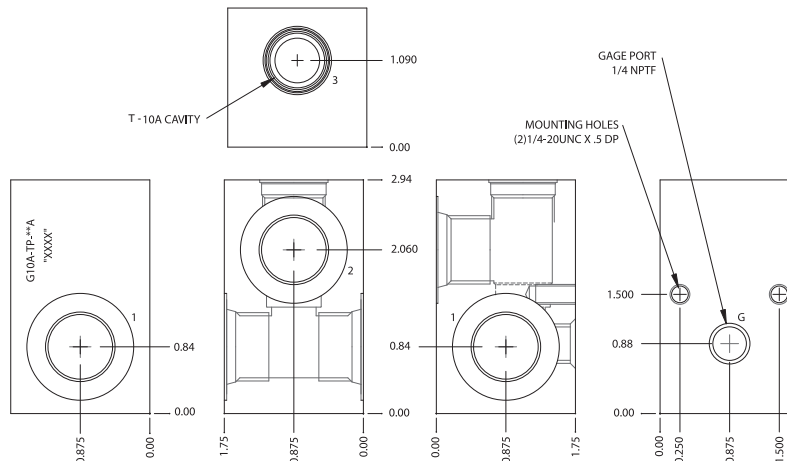


BLOCK DIMENSIONS						
Port Size	A	B	C	D	E	F
3PT6&T8	1.25	1.62	2.50	1.03	1.62	.62
4P	1.50	2.12	3.00	1.44	2.25	.75

Ordering Information

G10A	—————	3P	—————	A
Base Model #		Port Size 3P - 3/8 npt 4P - 1/2 npt T6 - sae #6 T8 - sae #8		Material A - Aluminum

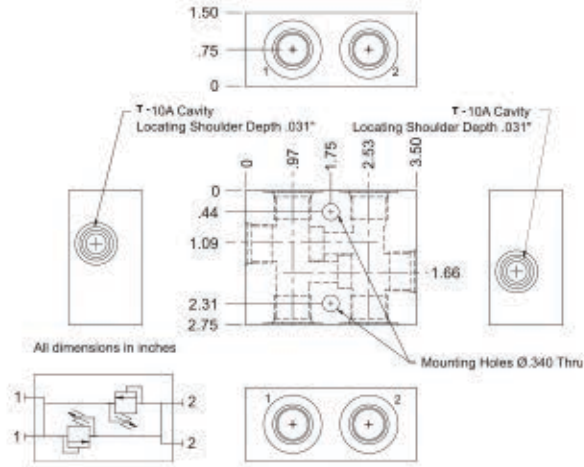
"Through Port Version"



Ordering Information

G10A-TP	—————	4P	—————	A
Base Model #		Port Size 4P - 1/2 npt T8 - sae #8 T10 - sae #10		Material A - Aluminum

T-10A CAVITY CROSSOVER RELIEF VALVE BODIES
FOR VALVE MODELS: GPR10, GDR10 Series



Ordering Information

G10A-XR
Base Model #

—

3P
Port Size
3P - 3/8 npt
4P - 1/2 npt
T6 - sae #6
T8 - sae #8

—

A
Material
A - Aluminum