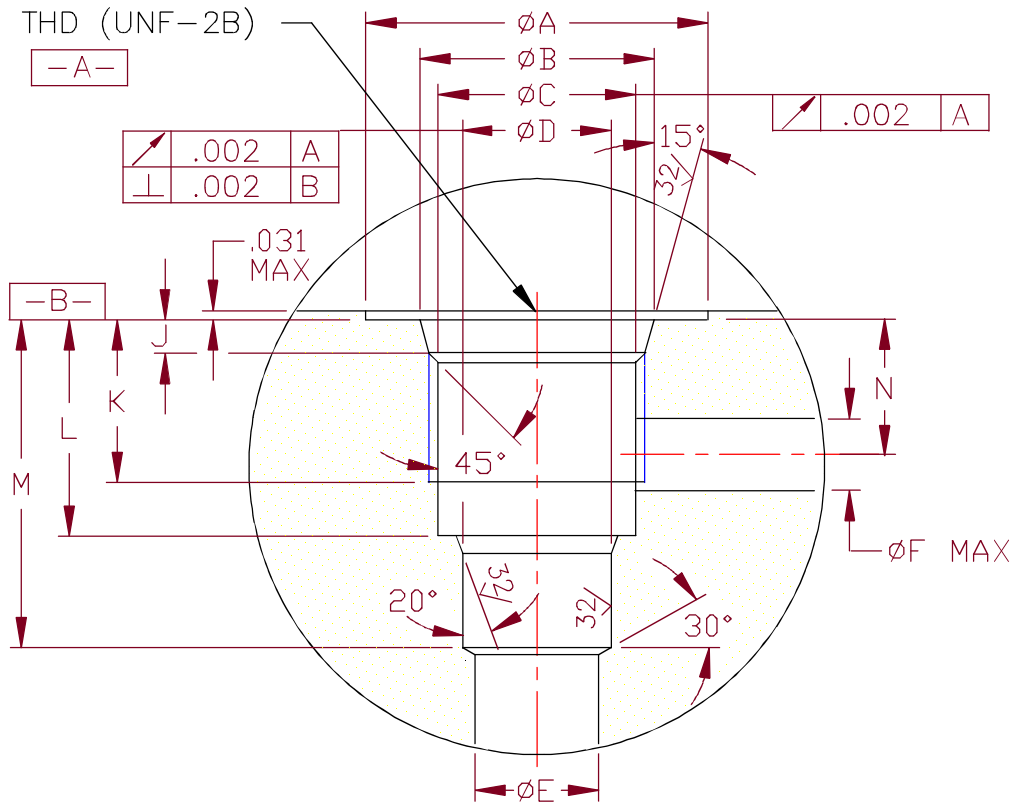




2-Way Valve Cavity

Cavity Details
C08-2; C10-2



Dim	08-2	10-2
THD	3/4-16	7/8-14
ØA	1.188	1.344
ØB	.816/.811	.947/.942
ØC	.690/.682	.814/.810
ØD	.502/.500	.627/.625
ØE	.502	.593
ØF	.312	.438
J	.115/.100	.115/.100
K	.562	.625
L	.750	.965
M	1.125	1.312
N	.500	.720