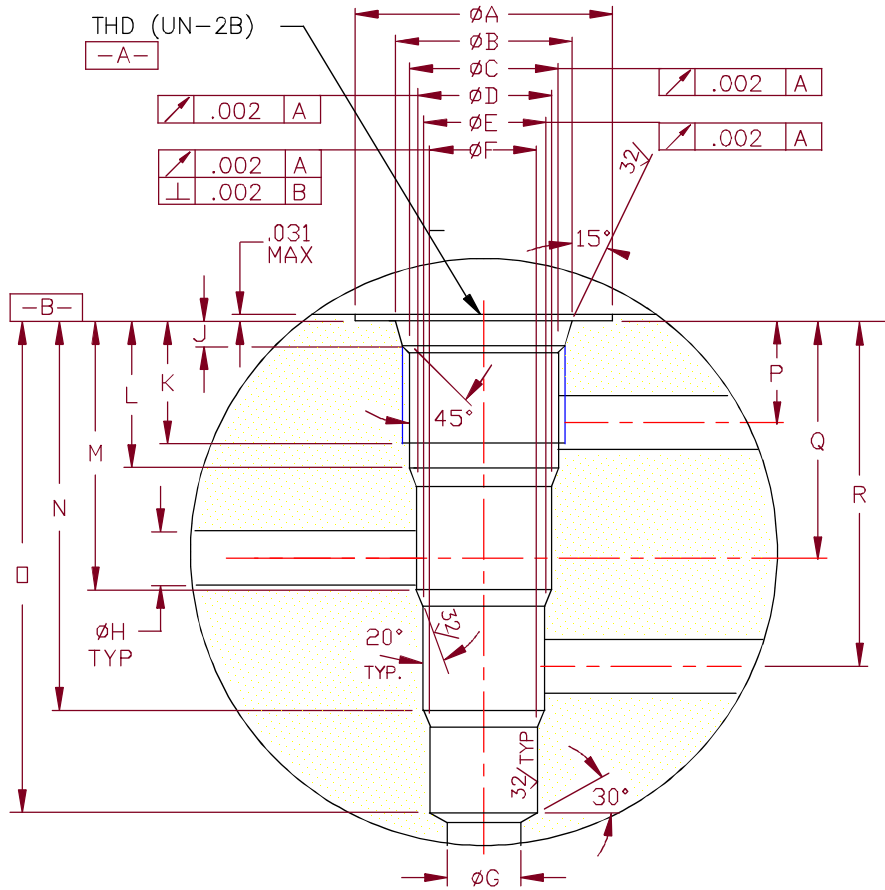




4-Way Valve Cavity Cavity Details
C16-4



Dim	08-4
THD	1-5/16 UN-2B
øA	1.750
øB	.1.401 ±0.002
øC	1.236/1.232
øD	1.128/1.126
øE	1.065/1.063.
øF	1.003/1.001
øG	0.75 MAX
øH	0.625
J	0.145/0.130
K	.750
L	1.344
M	2.469
N	3.594
O	4.094
P	0.969
Q	2.094
R	3.219