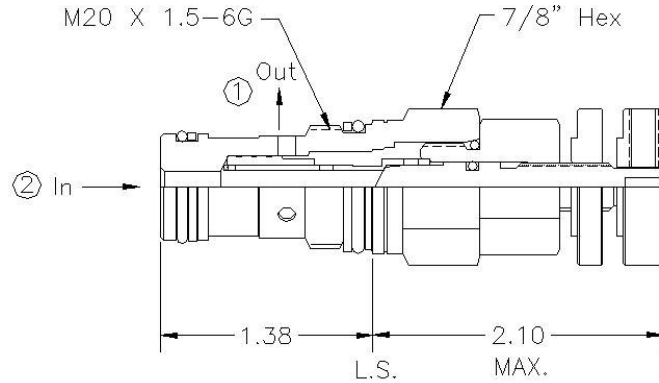
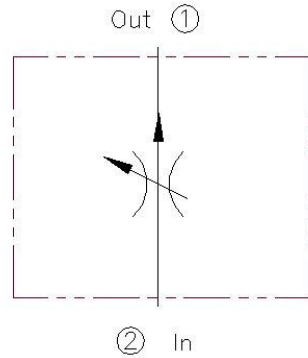




1343.00

Flow Control Valve

Pressure Compensated
Adjustable
Stainless Steel
8 gpm
T-13A Cavity



Operation Controls flow from the port 2 to port 1 at an adjusted value over a varying pressure range. Reverse flow is restricted and not compensated.

Type Adjustable pressure compensated flow control.

Material External parts of stainless steel. Internal parts are precision ground & honed, hardened steel parts. Buna-N seals standard.

Maximum Pressure 5,000 psi (350 bar)

Flow Adjustable range from 1 to 8 gpm

Fluid General hydraulic fluid

Cavity T-13A

Install torque 30-35 lb-ft (45-50Nm)

Options

1343.00 - 8 - K N
 Basic cartridge Adjustment Range 8 - 1 to 8 gpm Adjustment Type L - Screw Adjustment N - Buna-N
 K - Knob Adjustment V - Viton
 T - 'T'-Handle

