



GOLD SERIES

GCBS11-4

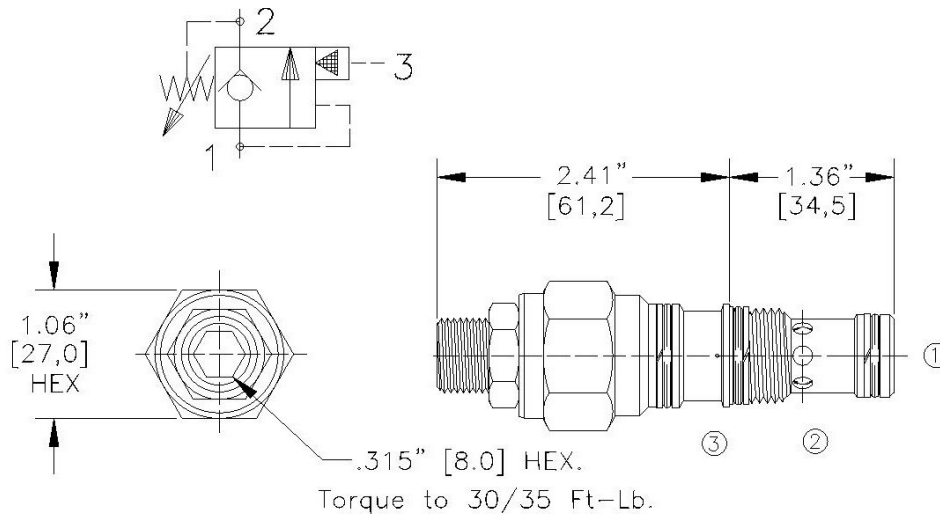
COUNTERBALANCE VALVE

WITH PILOT SEALS

4:1 PILOT RATIO

20 GPM (76L/M)

T11-A CAVITY



Turn screw clockwise to increase the pressure setting.

Specifications

Purpose	Counterbalance valve prevents load runaway.
Operation	Allows free flow from 2 to 1 & controlled flow from 1 to 2 by direct acting relief with a pilot operator to override or assist. Set relief at 30% above the maximum normal operating pressure. Seals on pilot piston ensure no flow between 2 and 3.
Material	Steel construction. Buna-n seals standard, viton optional.
Maximum Pressure	5000 psi, 3000 psi max for aluminum blocks.
Pilot Ratio	4:1
Flow	20 GPM (76 L/min) nominal
Leakage	5 drops/min @ 95% of crack pressure.
Operating Temperature	-40° to +250° F. [-40° to +120° C.]
Fluid	General purpose hydraulic fluids.
Filtration	25 microns or better.
Weight	0.46 lb [.21kg] cartridge only
Cavity	T-11A
Design	2161.00

Ordering Information

GCBS11	4	15	N	XXXX
Basic Cartridge	Pilot Ratio 4 - 4:1	Adjustment Range 15 - 100 to 1500 psi 30 - 300 to 3000 psi 50 - 500 to 5000 psi	Seals N - Buna-n V - Viton	Factory Setting XX - in psi (i.e. 2000=2000 psi)

