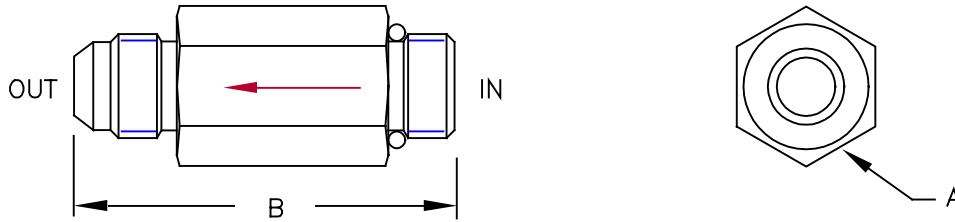




EXCESS FLOW PROTECTOR IN-LINE SERIES

Male SAE x Male JIC 37°



(Arrow indicates direction of closing flow)

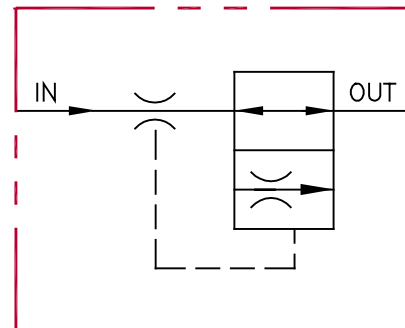
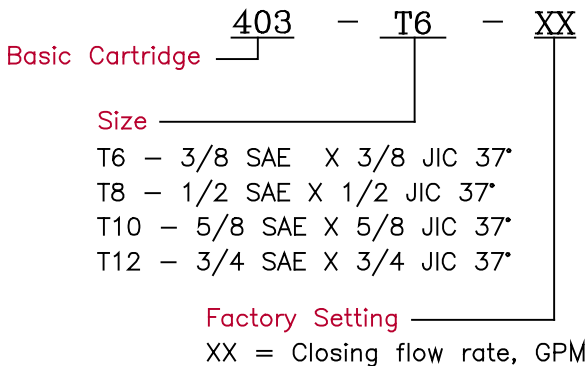
SPECIFICATIONS

Type	In-line excess flow protector (hose break valve)	Closing Flow	Preset by factory to customer specified value (Tolerance: +20%/-0%)
Operation	Shuts off flow if it exceeds the preset rate and then allows flow at a low rate. Remains closed until pressure is equalized. Free reverse flow.	Max. Pressure	3,000 psi
Material	All steel construction Black oxide finish	Press. Differential	50 to 100 psi
Rated Flow	Up to 35 gpm	Fluid	General hydraulic fluid
		Operating Temp.	-40°F to +200°F
		Seals	Buna-n

DIMENSIONS

Model	Inlet	Outlet (37° Flare JIC)	Flow Range	A Hex	B
403-T6-XX	SAE 6	3/8 Tube, 9/16-18 unf	.5 - 4 GPM	3/4	1.65
403-T8-XX	SAE 8	1/2 Tube, 3/4-16 unf	.5 - 8 GPM	7/8	1.75
403-T10-XX	SAE 10	5/8 Tube, 7/8-14 unf	1 - 20 GPM	1	2.06
403-T12-XX	SAE 12	3/4 Tube, 1 1/16-12 un	2 - 35 GPM	1 1/4	2.00

ORDERING INFORMATION



All dimensions in inches