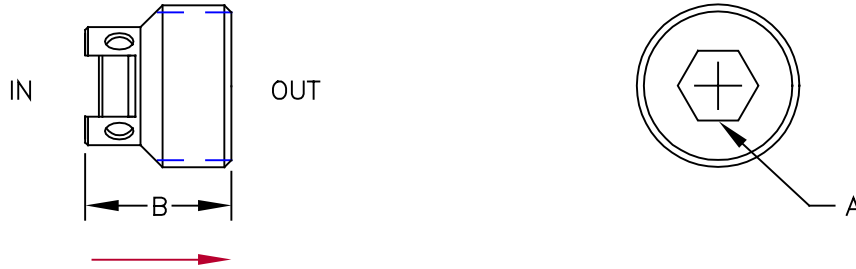


470 SERIES



EXCESS FLOW PROTECTOR IN-LINE SERIES SAE Threaded Cartridge



(Arrow indicates direction of closing flow)

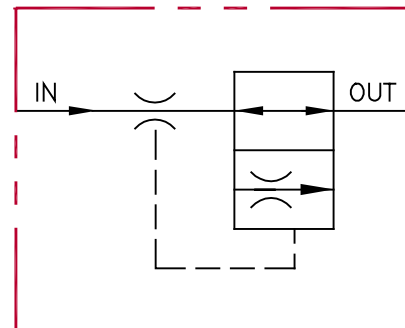
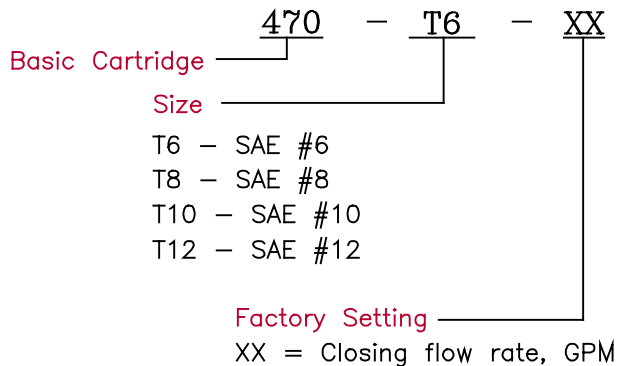
SPECIFICATIONS

Type	In-line excess flow protector (hose break valve)	Closing Flow	Preset by factory to customer specified value (Tolerance: +20%/-0%)
Operation	Shuts off flow if it exceeds the preset rate and then allows flow at a low rate. Remains closed until pressure is equalized. Free reverse flow.	Max. Pressure	3,000 psi
		Press. Differential	50 to 100 psi
		Fluid	General hydraulic fluid
Material	All steel construction	Operating Temp.	Not Applicable
Rated Flow	Up to 45 gpm	Seals	Not Applicable

DIMENSIONS

Model	Thread Size	Flow Range	A Hex	B
470-T6-XX	9/16-18 unf	.5 - 8 GPM	3/16	.75
470-T8-XX	3/4-16 unf	1 - 20 GPM	5/16	.79
470-T10-XX	7/8-14 unf	2 - 30 GPM	3/8	.79
470-T12-XX	1 1/16-12 un	2 - 45 GPM	7/16	.96

ORDERING INFORMATION



All dimensions in inches