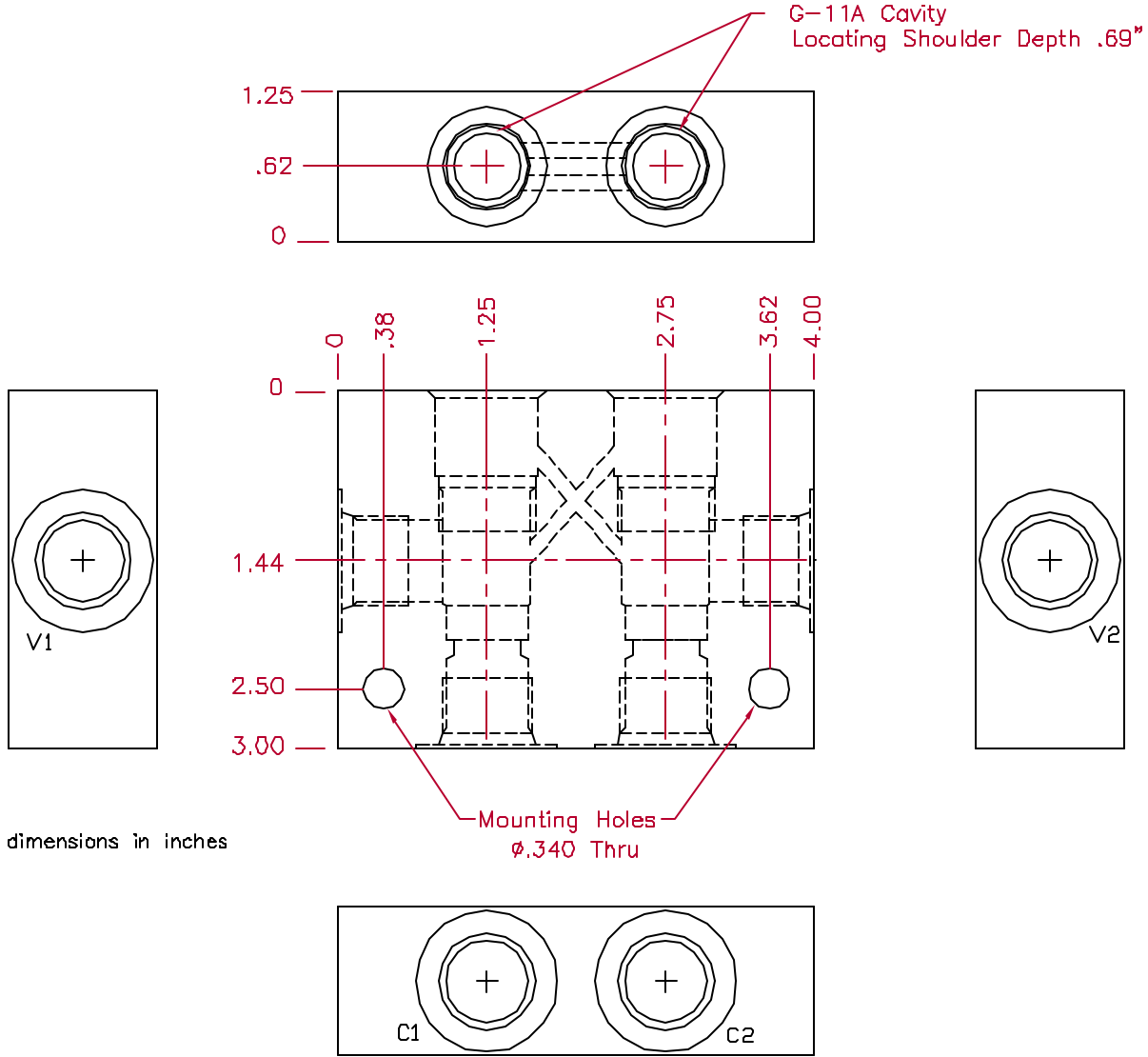




G-11A CAVITY  
CROSS-PILOTED BODIES



All dimensions in inches

ORDERING INFORMATION

**G11A-CP - 3P A**

Body Series ————

Block Material  
A - Aluminum

Port Size

- 3P - Ports C1, C2, V1, V2 = 3/8 NPTF
- 4P - Ports C1, C2, V1, V2 = 1/2 NPTF
- T6 - Ports C1, C2, V1, V2 = 3/8 SAE(#6)
- T8 - Ports C1, C2, V1, V2 = 1/2 SAE(#8)

Typical cartridges  
used with this body

GPOC11 - \*\*\*\*\*