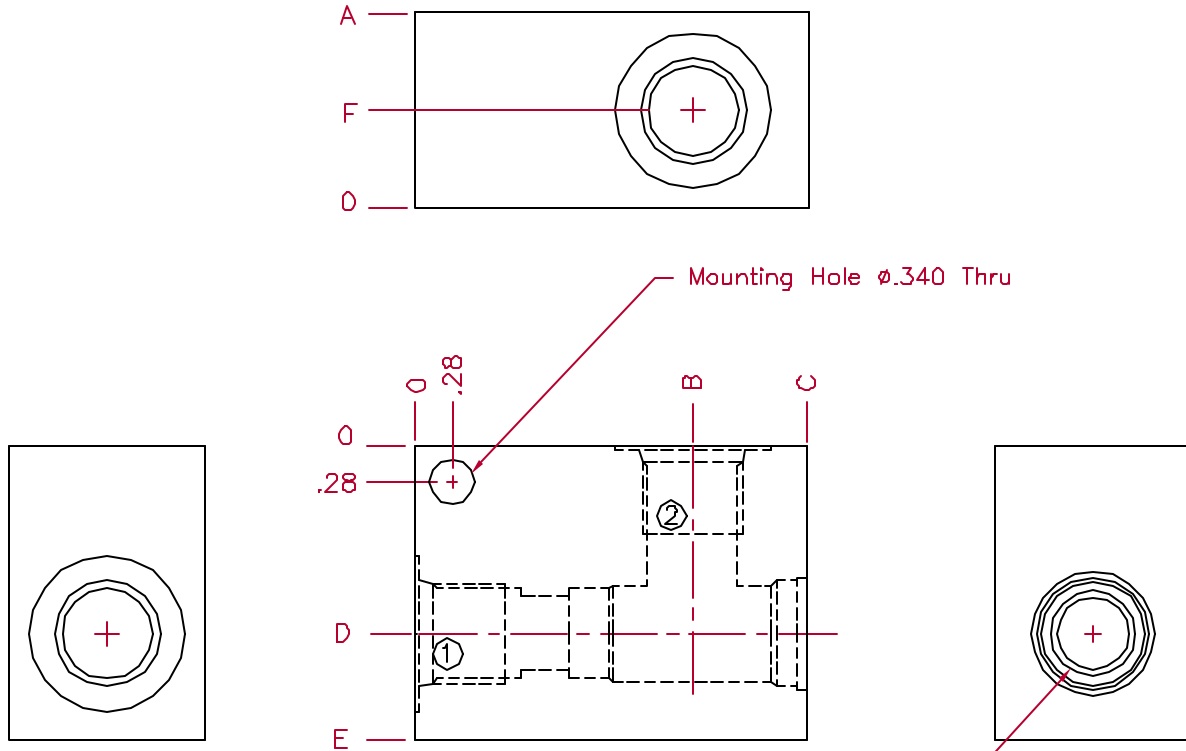




G-10A CAVITY VALVE BODIES

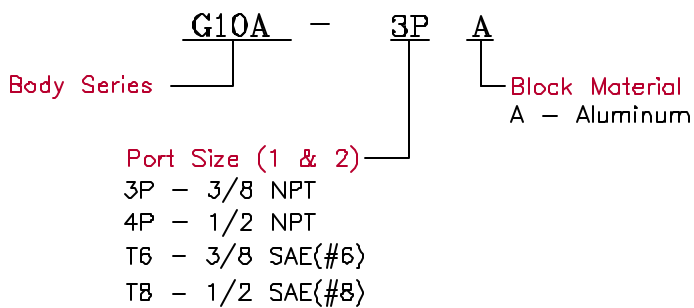


All dimensions in inches

G-10A Cavity
Locating Shoulder Depth $.030$ " - $.060$ "

BLOCK DIMENSIONS						
Port Size	A	B	C	D	E	F
3P, T6, & TB	1.25	1.62	2.50	1.03	1.62	.62
4P	1.50	2.12	3.00	1.44	2.25	.75

ORDERING INFORMATION



Typical cartridges used with this body

GPR10 - *****