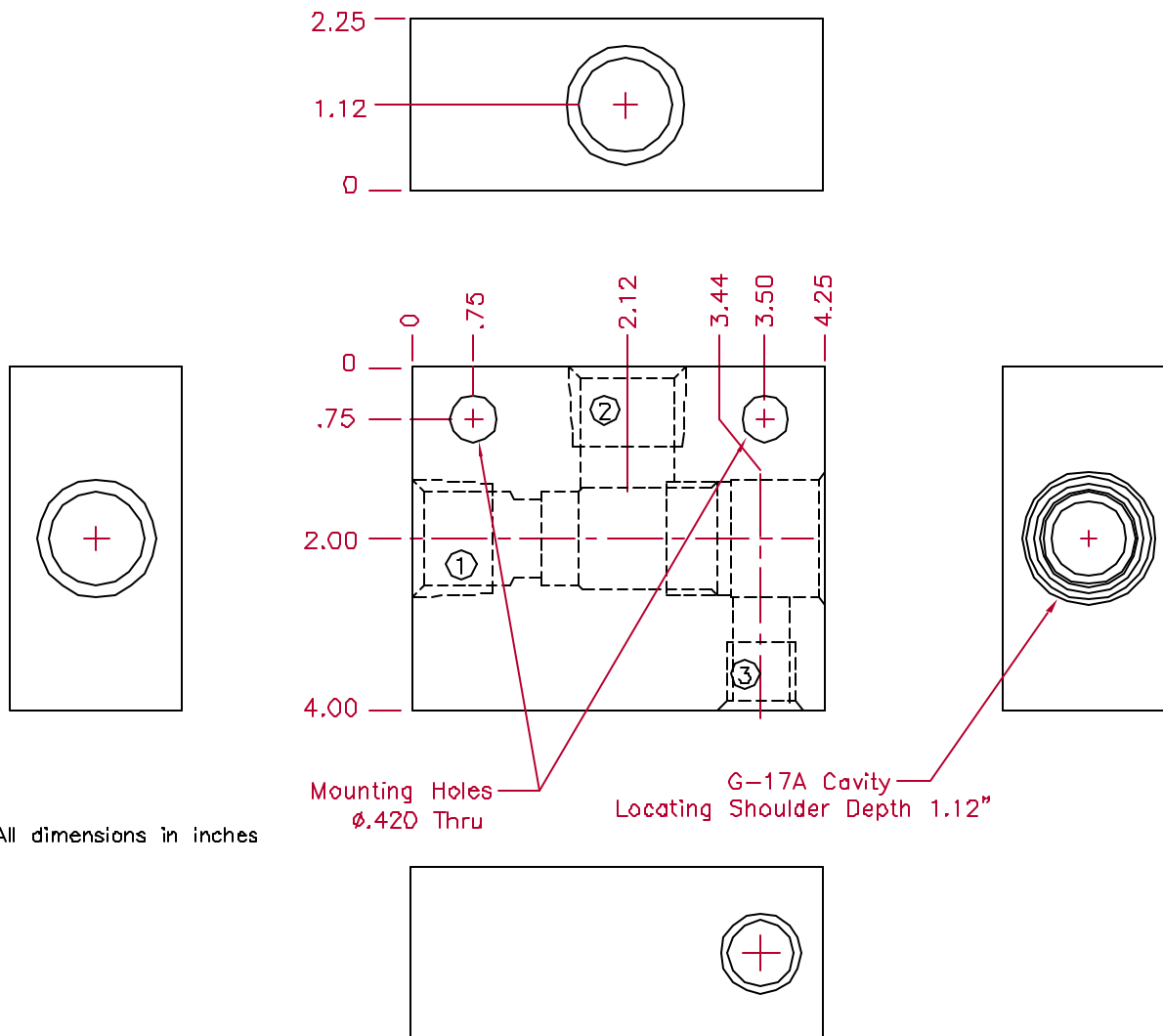




GOLD SERIES



G-17A CAVITY VALVE BODIES



ORDERING INFORMATION

G17A - 6P A

Body Series ————

Port Size ————

Block Material
A - Aluminum

6P - Ports 1 & 2 = 3/4 NPT, Port 3 = 1/4 NPT
 8P - Ports 1 & 2 = 1 NPT, Port 3 = 1/4 NPT
 T12 - Ports 1 & 2 = 3/4 SAE(#12), Port 3 = 3/8 SAE(#6)
 T16 - Ports 1 & 2 = 1 SAE(#16), Port 3 = 3/8 SAE(#6)
 T20 - Ports 1 & 2 = 1 1/4 SAE(#20), Port 3 = 3/8 SAE(#6)

Typical cartridges used with this body

GPOC17 - *****

