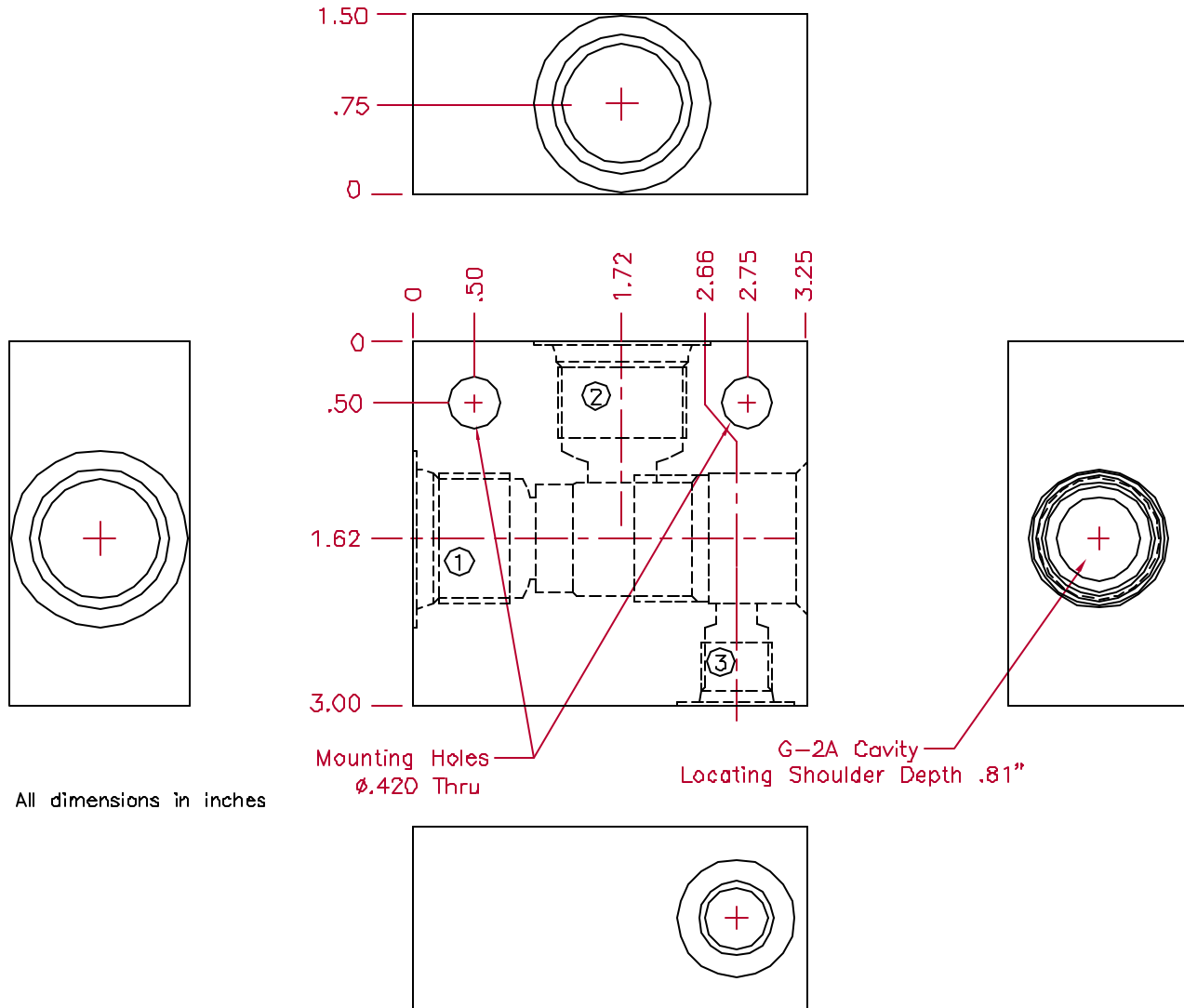




GOLD SERIES

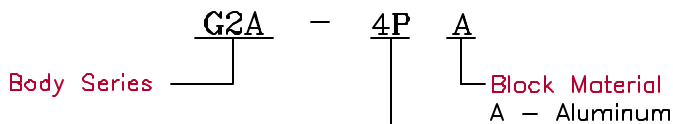


G-2A CAVITY VALVE BODIES



All dimensions in inches

ORDERING INFORMATION



Port Size

- 4P - Ports 1 & 2 = 1/2 NPT, Port 3 = 1/4 NPT
- 6P - Ports 1 & 2 = 3/4 NPT, Port 3 = 1/4 NPT
- T8 - Ports 1 & 2 = 1/2 SAE(#8), Port 3 = 3/8 SAE(#6)
- T10 - Ports 1 & 2 = 5/8 SAE(#10), Port 3 = 3/8 SAE(#6)
- T12 - Ports 1 & 2 = 3/4 SAE(#12), Port 3 = 3/8 SAE(#6)

Typical cartridges used with this body

- GPOC2 - \*\*\*\*\*
- GCB2 - \*\*\*\*\*

