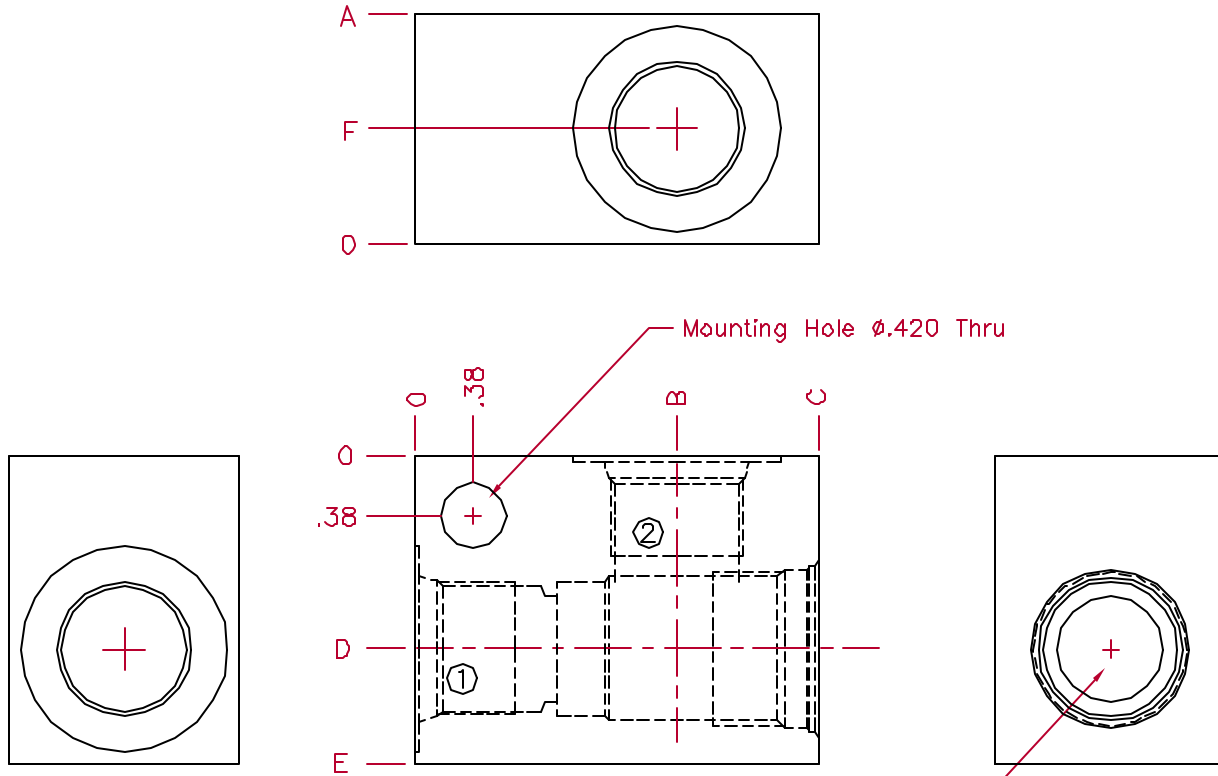




G-3A CAVITY
VALVE BODIES

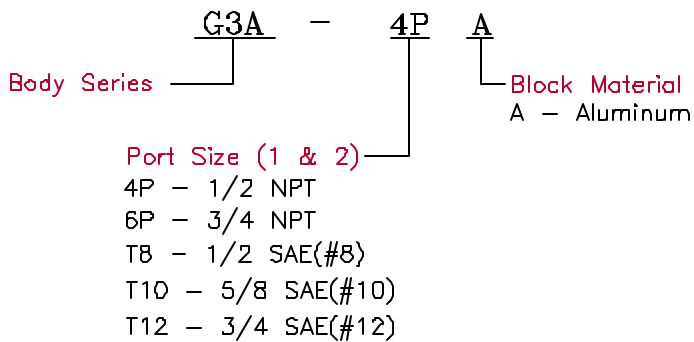


All dimensions in inches

G-3A Cavity
Locating Shoulder Depth .060"

BLOCK DIMENSIONS						
Port Size	A	B	C	D	E	F
4P,6P,T8,T10,T12	1.50	1.97	3.00	1.25	2.00	.75

ORDERING INFORMATION



Typical cartridges
used with this body

GPR3 — *****