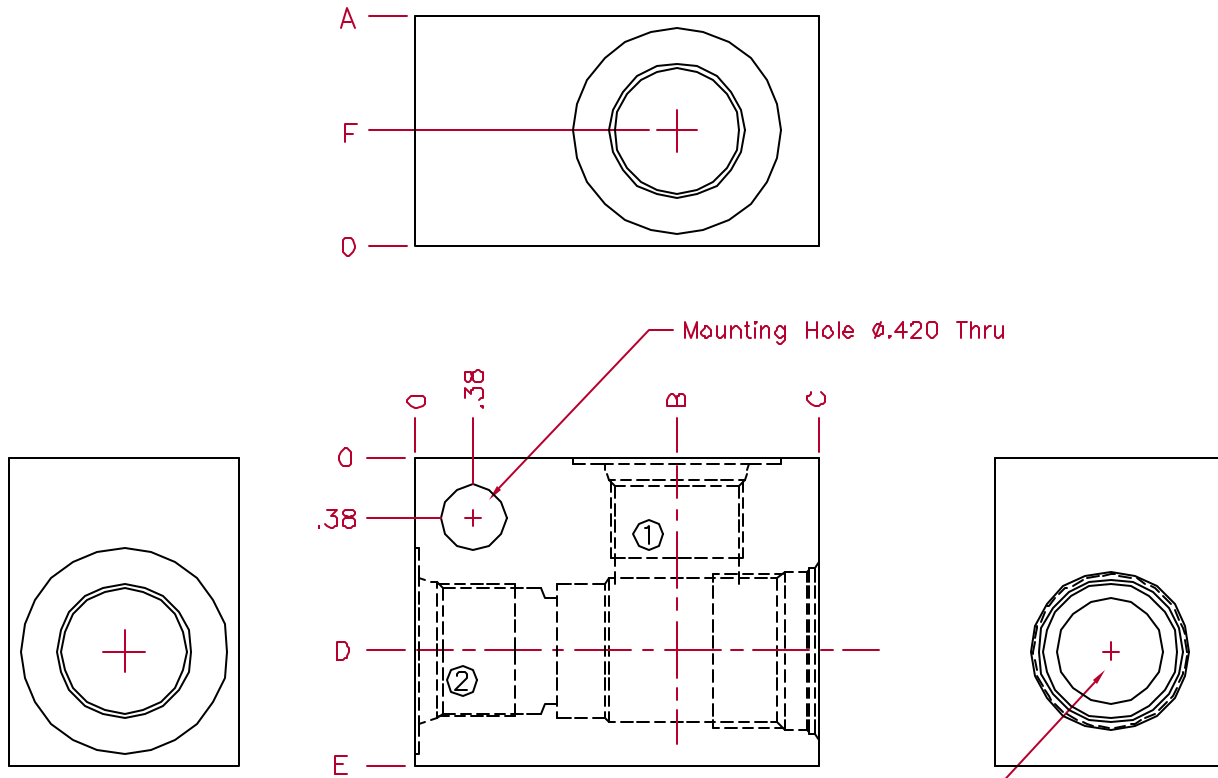




G-5A CAVITY VALVE BODIES



All dimensions in inches

G-5A Cavity  
Locating Shoulder Depth  $.060$ "

BLOCK DIMENSIONS						
Port Size	A	B	C	D	E	F
3P,4P,T8,T10	1.50	1.70	2.62	1.25	2.00	.75

ORDERING INFORMATION

G5A - 3P A  
 Body Series    Block Material  
     A - Aluminum  
  
 Port Size (1 & 2)  
 3P - 3/8 NPT  
 4P - 1/2 NPT  
 T8 - 1/2 SAE(#8)  
 T10 - 5/8 SAE(#10)

Typical cartridges  
used with this body

GCV5 - \*\*\*\*\*

GCV45 - \*\*\*\*\*

