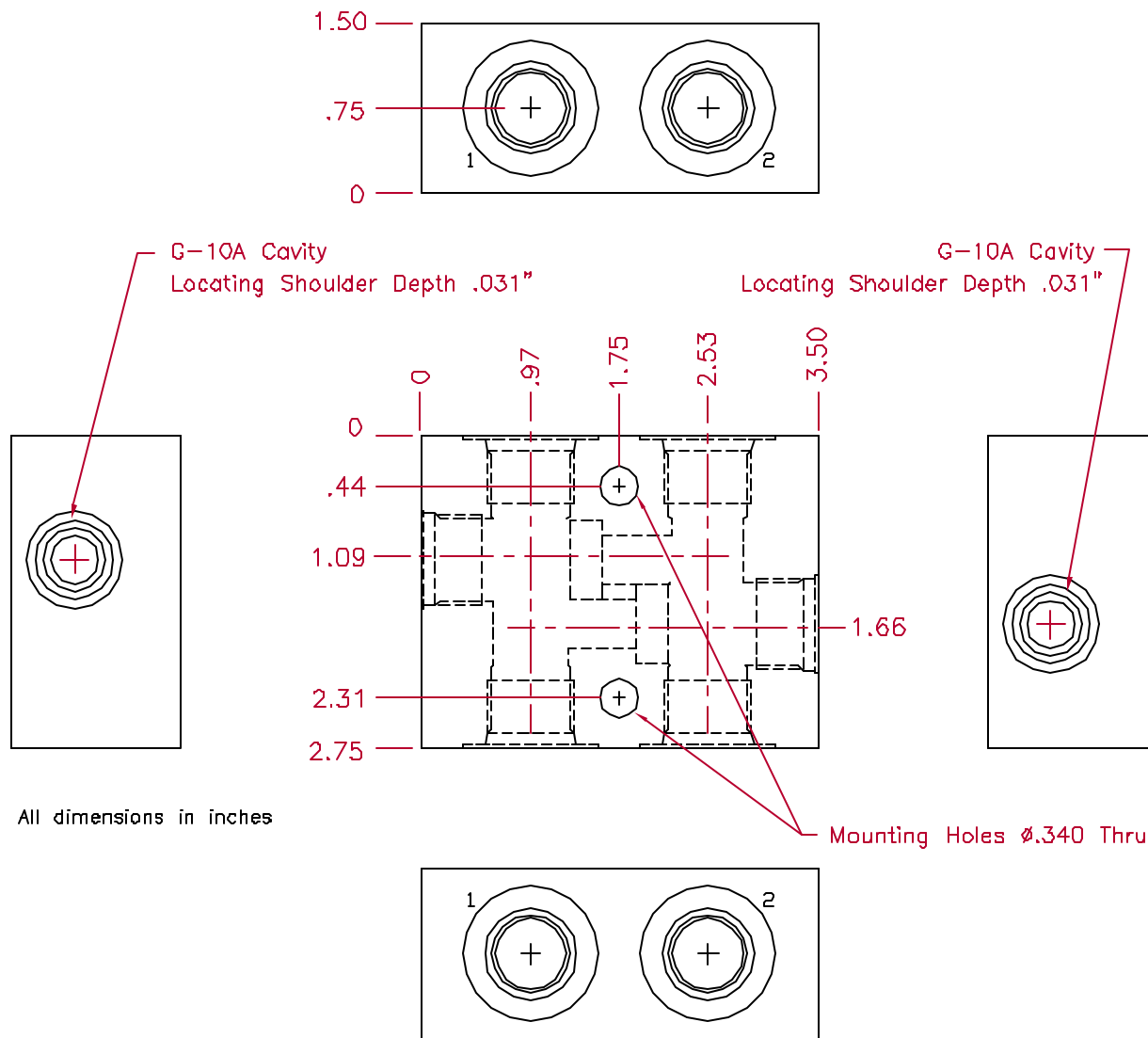




GOLD SERIES



G-10A CAVITY CROSSOVER RELIEF BODIES



All dimensions in inches

ORDERING INFORMATION

G10A-XR — **3P** **A**

Body Series —

Port Size (1 & 2) —

Block Material
A — Aluminum

3P — 3/8 NPTF
4P — 1/2 NPTF
T6 — 3/8 SAE(#6)
T8 — 1/2 SAE(#8)

Typical cartridges
used with this body

GPR10 — *****

